

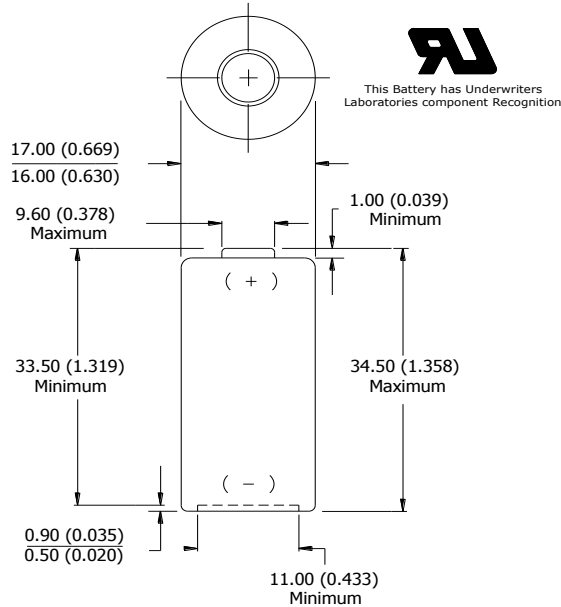
ENERGIZER 123

(EL123AP)



Industry Standard Dimensions

mm (inches)



This Battery has Underwriters Laboratories component Recognition

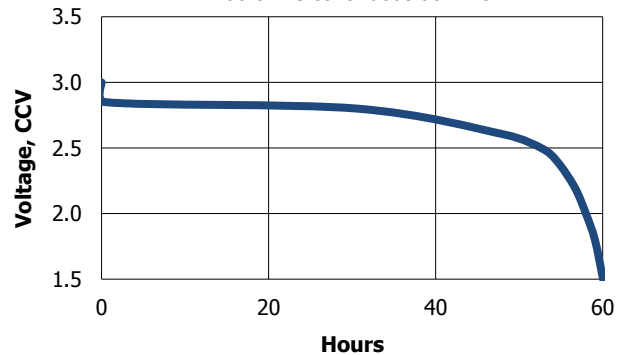
This battery contains a Positive Temperature Coefficient (PTC) safety device to limit current during short circuit conditions.

Specifications

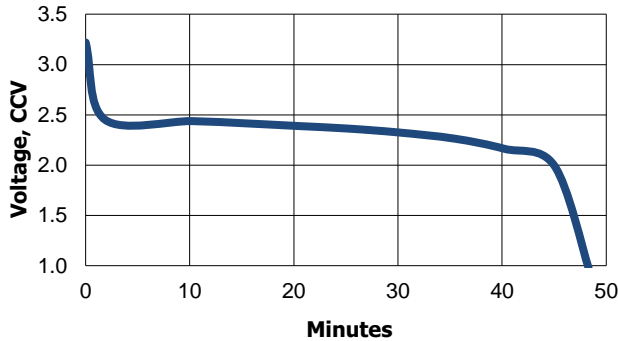
Classification:	"Lithium"
Chemical System:	Lithium / Manganese Dioxide (Li/MnO ₂)
Designation:	ANSI-5018LC, IEC-CR17345
Nominal Voltage:	3.0 Volts
Storage Temp:	-40°C to 60°C (-40°F to 140°F)
Operating Temp:	-40°C to 60°C (-40°F to 140°F)
Typical Capacity:	1500 mAh (to 2.0 volts) (Rated at 100 ohms at 21°C)
Typical Weight:	16.5 grams (0.58 oz.)
Typical Volume:	7.0 cubic centimeters (0.4 cubic inch)
Max Discharge:	1500 mA continuous (3500 mA pulse)
Max Rev Current:	2 uA
Typical Li Content:	0.55 grams (0.019 oz.)
UL Listed:	MH29980

Typical Discharge Characteristics

Rated Capacity
100 ohms continuous at 21°C



Photoflash
1800 mA (3 sec on / 7 sec off) at 21°C



Photoflash
1200 mA (3 sec on / 7 sec off) at 21°C

