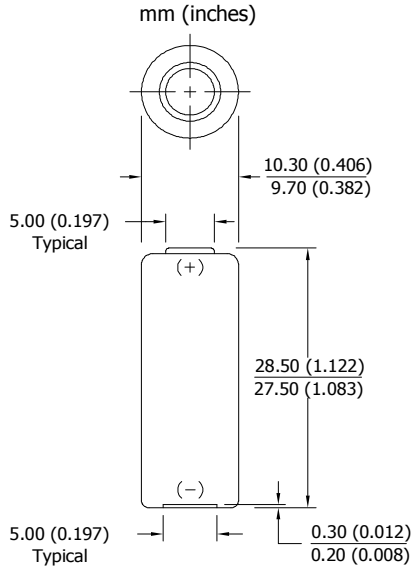


ENERGIZER A23

Miniature Alkaline



Industry Standard Dimensions



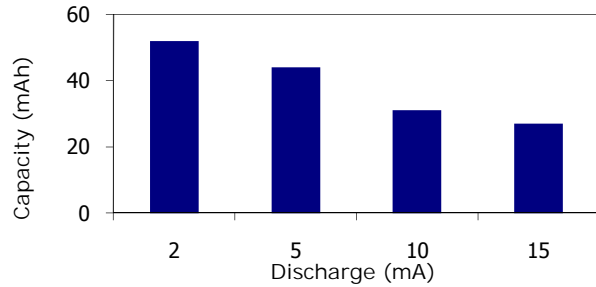
Designed for electronic applications which may require high rate pulses.

Specifications

- Classification: Miniature Alkaline
- Chemical System: Manganese Dioxide (MnO₂)
- Designation: ANSI-1181A
- Nominal Voltage: 12 volts
- Typical Capacity: 55 mAh to 6.0 Volts (rated at 20K ohms at 21°C)
- Typical Weight: 8.0 grams (0.3 oz.)
- Typical Volume: 1.1 cubic centimeters (0.07 cubic inch)
- Jacket: Plastic Label
- Terminal: Flat Contact

Milliamp-Hours Capacity

Continuous discharge to 6.0 volts at 21°C



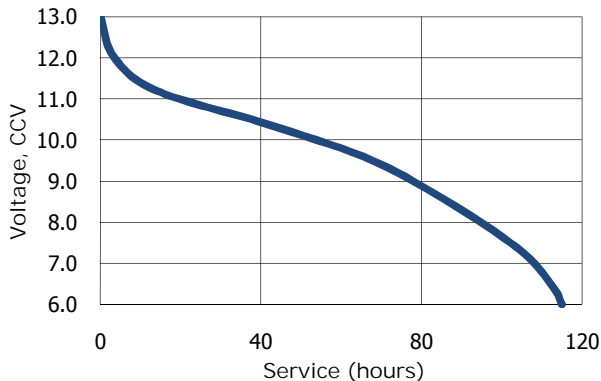
Typical Discharge Durations

Continuous discharge at 21°C

Schedule (time)	Drain (mA)	Load (ohms)	Cutoff Voltage		
			8.8V (hours)	7.2V (hours)	6.0V (hours)
Continuous	0.48	20K	81	105	115

Discharge Characteristics

Schedule: Continuous
Typical Load: 20 KΩ (21°C)



Temperature Characteristics

Schedule: Continuous
Typical Load: 20 KΩ

