

# CR2430

3V Lithium Battery OEM  
Swiss Made

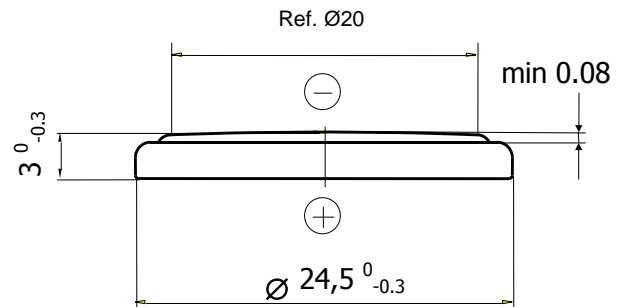
## Technical Data Sheet

### Specifications

Chemical System	Li / MnO <sub>2</sub>
Nominal Voltage	3 V
Rated Capacity	285 mAh
Standard Discharge Current	0.5 mA
Max. Cont. Discharge Current**	4.0 mA
Average Weight	~ 4.1 g
Operating Temperature*	-40 - +85 °C
Self Discharge at 23°C	< 1% / year

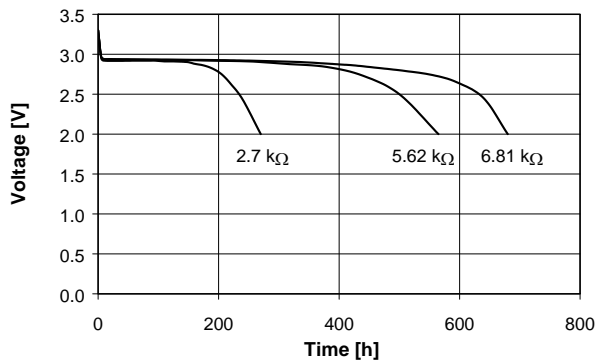
### Dimensions

(According to IEC 60086)

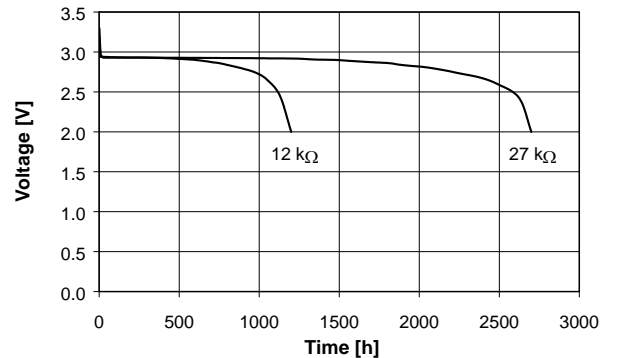


### Performance

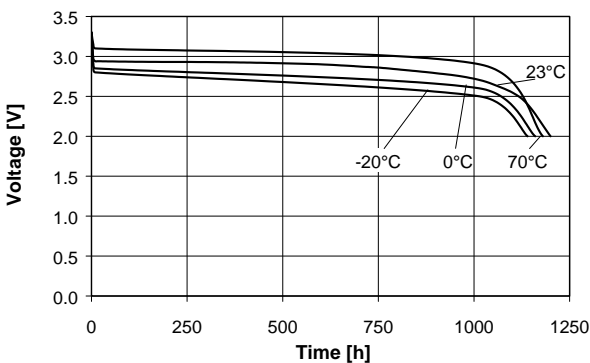
Discharge performance at 23°C



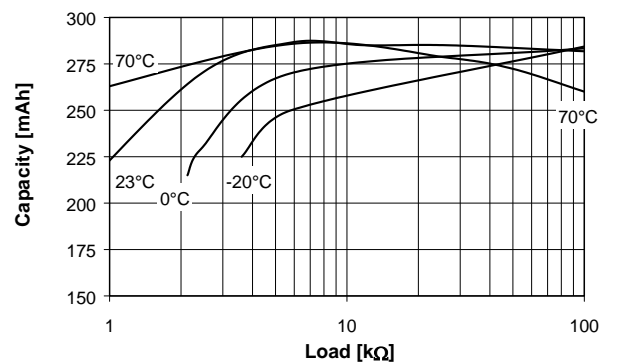
Discharge performance at 23°C



Temperature performance Load 12kΩ



Cell capacity at various loads



\*In applications where the battery is exposed to temperatures above 70 °C, please contact Renata for consultancy.  
\*\* The maximum current is determined for a yield of 70% of the nominal capacity with a cut-off voltage of 2.0V, at 23°C.