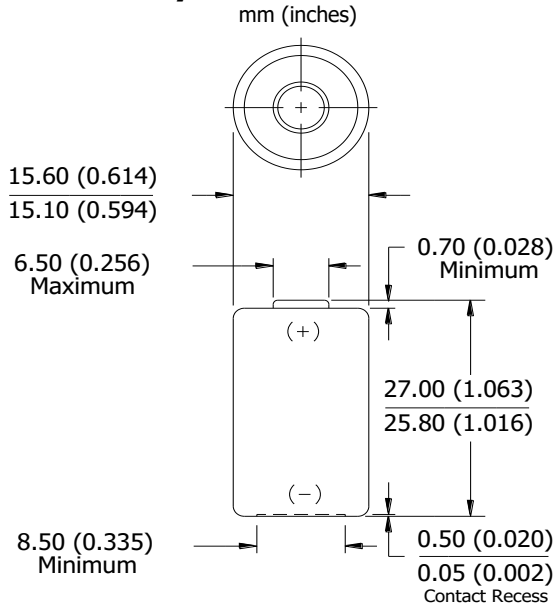


ENERGIZER 1CR2

(EL1CR2 / CR2)



Industry Standard Dimensions



This battery contains a Positive Temperature Coefficient (PTC) safety device to limit current during short circuit conditions.

Simulated Application Tests

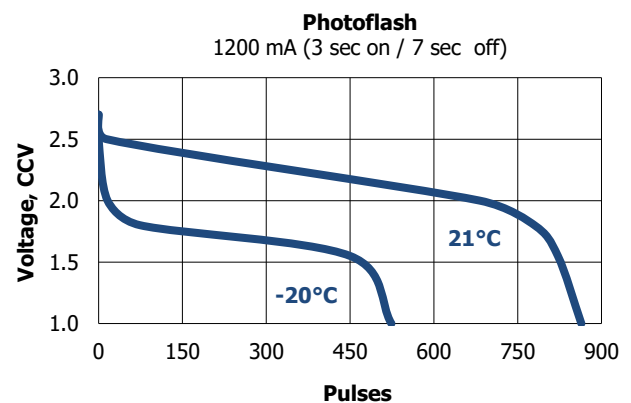
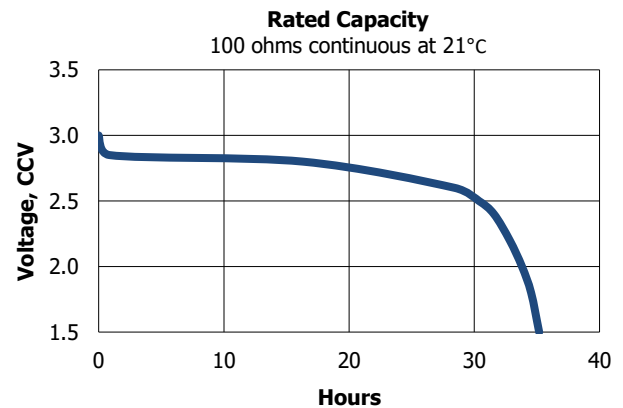
Typical Use Performance

Type (time)	Drain (mA)	Load (ohms)	Cutoff Voltage		
			2.0V (21°C) (hours)	1.8V (21°C) (pulses)	1.55V (21°C) (pulses)
Capacity (continuous)	---	100	34	---	---
Photoflash (3 / 27 sec)	900	---	---	---	1140
Photoflash (3 / 7 sec)	1200	---	---	760	---
Photoflash (3 / 7 sec)	1800	---	---	400	---

Specifications

Classification:	"Lithium"
Chemical System:	Lithium / Manganese Dioxide (Li/MnO ₂)
Designation:	ANSI-5046LC, IEC-CR15H270
Nominal Voltage:	3.0 Volts
Storage Temp:	-40°C to 60°C (-40°F to 140°F)
Operating Temp:	-40°C to 60°C (-40°F to 140°F)
Typical Capacity:	800 mAh (to 2.0 volts) (Rated at 100 ohms at 21°C)
Typical Weight:	11.0 grams (0.4 oz.)
Typical Volume:	5.2 cubic centimeters (0.3 cubic inch)
Max Discharge:	1000 mA continuous (2500 mA pulse)
Max Rev Current:	2 uA
Typical Li Content:	0.28 grams (0.010 oz.)

Typical Discharge Characteristics



Important Notice

This datasheet contains typical information specific to products manufactured at the time of its publication. Contents herein do not constitute a warranty and are for reference only.