

ENERGIZER EPX625G

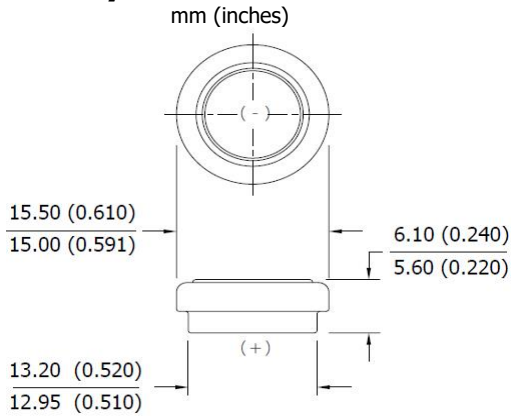
Miniature Alkaline



General Information

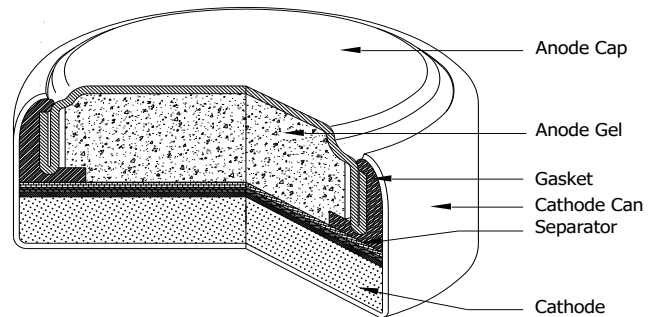
Chemical System: Manganese Dioxide (MnO₂)
Designation: N/A
Nominal Voltage: 1.5 Volts
Typical Capacity: 175 mAh (to 0.9 volts)
 Rated at 2.5K ohms / 21°C (70°F)
Typical Weight: 3.3 grams (0.12 ounces)
Typical Volume: 1.2 cubic centimeters (0.07 cubic inch)

Industry Standard Dimensions



Designed specifically for photo use

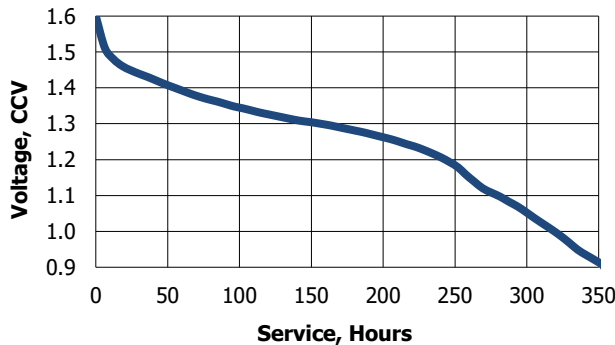
Cross Section



Typical Discharge Characteristics

21°C (70°F)

Load: 2.5K ohms - Continuous
Typical Drain @ 1.25V: 0.5 mA



| Schedule: | Typical Drains: at 1.25V (milliamperes) | Load (ohms) | Cutoff 0.9V (hours) |
|------------|---|----------------|---------------------------|
| Continuous | 0.5 | 2,500 | 355 |

Important Notice

This datasheet contains typical information specific to products manufactured at the time of its publication.
Contents herein do not constitute a warranty and are for reference only.